



Milano

Power Procedure Chairs



DRE

An **Avante** | Health Solutions Company

DRE Milano Procedure & Exam Series

The Milano series combines rich Italian leather with innovative technology to produce high quality products which offer comfort, ergonomics, and a high degree of functionality. We stand behind the entire series as a true value and favorably compare the quality and customer satisfaction with the best rated chairs on the market.

- **Best Value!** Compares extremely well with popular brands for less.
- **Quality:** Long lasting high quality materials and engineering.
- **Flexibility:** Wide variety of power movements and features for specialty procedures
- **Ideal For:** Dermatology, OBGYN, Hair Transplant, ENT, Oral Surgery, Cosmetic Surgery, Podiatry, and General Practice



Maximum Load Capacity:
440 lbs (200kg)

Trendelenburg: 25°

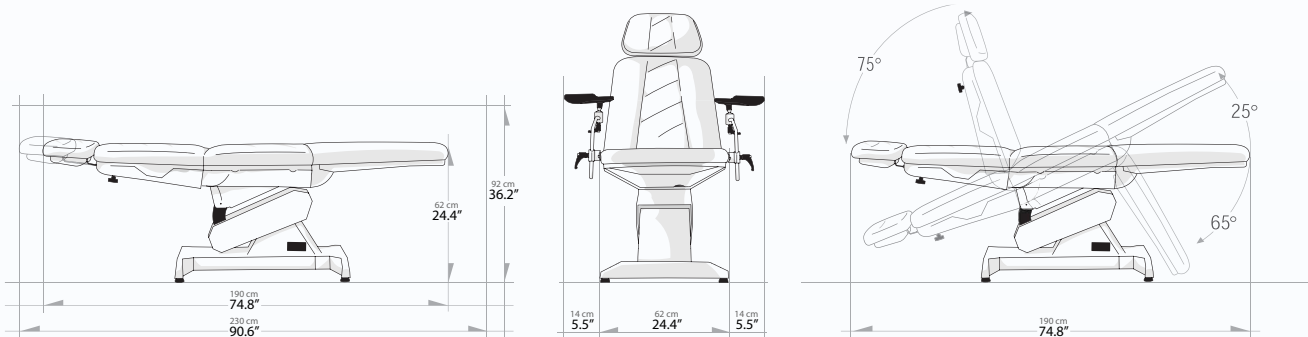
[View More Info](#)

DRE Milano T50

Fully electric, multi-function power procedure table

The DRE Milano T50 compares with popular brands in terms of style and functionality, at a fraction of the cost. With four actuators to adjust height, backrest, leg rest and Trendelenburg positioning, clinicians are ensured a clear path to the patient.

- Fully electric operation with four actuators to adjust table height, backrest, leg rest and Trendelenburg positioning.
- Standard handheld remote control and foot pedal include automatic reset function.
- Adjustable and removable headrest.
- Seat and back rails fit a variety of medical accessories.
- Magnetic back remote control easily attaches to the side of the chair.
- ABS coated steel frame gives the table a smooth finish while protecting the inner table components.





Chair Height: 21 to 33"
 Mattress Width: 22.8"
 Mattress Length: 61.6"

[Watch the Product Video](#)

DRE Milano D20

A highly-adjustable, affordable chair for modern practices

The DRE Milano D20 is a highly versatile procedure chair perfect for dental procedures, implantology, orthodontics, ENT, facial procedures, examinations, diagnostics and minor surgeries. Using the handset remote or foot controls, operators can adjust the chair's height, backrest, seat rest and leg rest.

- Four Independent Electronic Movements: Height, Backrest, Leg Rest and Seat Rest.
- One Synchronized Electric Movement: Backrest / Leg Rest.
- One Manual Movement: Leg Rest Extension.
- Convenient automatic reset control returns chair to its original position.
- Wheeled base for moving the chair throughout your facility.
- Constructed with latex-free, non-toxic and non-carcinogenic materials.
- Leg rest lowers to 90 degrees, allowing patients to easily enter and exit the chair.
- Articulating headrest can be adjusted for a variety of procedures.



Maximum Load Capacity:
 440 lbs (200kg)
 Chair Weight:
 166 lbs (75kg)

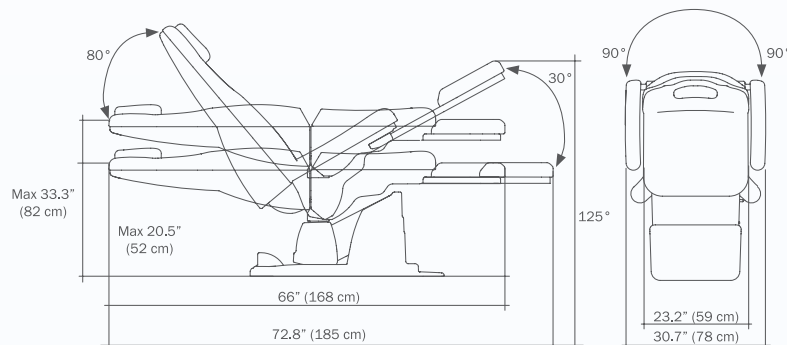
[View More Info](#)

DRE Milano E20

Advanced features and elegant engineering

The Milano E20 is comfortable for both the operator and patient alike, and ideal for lengthy procedures. It is wider than traditional procedure chairs and offers easy access to people with mobility difficulties, thanks to its adjustable height (lowers to 20.5"/52 cm). Its physician-configured adjustments provide excellent visibility within the operative field.

- 180° chair rotation: Swivel feature provides for efficient access to multiple patient areas.
- Tapered head allows for easy access to facial areas for the practitioner.
- Foot pedal adjusts the height, back and level positioning.
- Lumbar support mattress: Ergonomic mattress design allows for lumbar-back support, patient head comfort and adjustable foot support.
- Convenient "auto return" function restores the chair to original position and saves operator time.





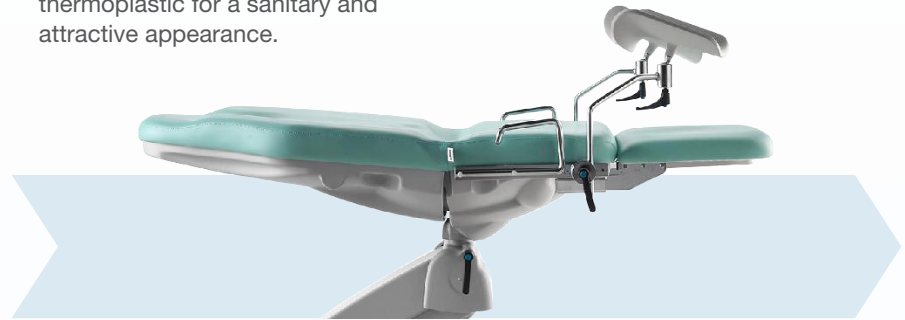
Maximum Load Capacity:
485 lbs (220kg)
Chair Length:
51 - 60" (129 - 151cm)
Chair Width:
23" (59cm)

DRE Milano OB20

Electrically operated with modern European style

The Milano OB20 provides simple, automatic operation with 3 independent motors. Perfectly suited for use in gynecology, urology, colposcope exams, diagnostics and ultrasounds.

- › Automatic reset switch that returns the table to its starting position.
- › 20" minimum height ensures easy access for the patient.
- › 40" maximum height ensures optimum position for the specialist.
- › Steel frame covered with thermoplastic for a sanitary and attractive appearance.
- › Seamless anatomical mattress for easy sanitation.
- › 3 independent electric movements: height, back rest and Trendelenburg.
- › 90° rotation to both sides.
- › Ergonomic styling.



Maximum Load Capacity:
440 lbs (200kg)
Gross Weight: 196 lbs
Net Weight: 161 lbs
Size: 67 x 30 x 34"

DRE Milano OB50

Modern and efficient mult-function procedure chair

The Milano OB50 utilizes 3 independent motors for simple and automatic operation and is designed for gynecological and urological examinations, ultrasounds, colposcopic examinations and minor clinical surgery.

- › Low voltage foot control with automatic reset that returns the table to its starting position.
- › 26" minimum height ensures easy access for the patient.
- › 37" maximum height ensures optimum position for the specialist.
- › Anatomical mattress for easy sanitation.
- › 3 independent electric movements: height, back rest and Trendelenburg.
- › Steel frame covered with thermoplastic for a sanitary and attractive appearance.
- › Ergonomic styling.





Maximum Load Capacity:
441 lbs (200kg)
Trendelenburg: 25°
Backrest: 75°
Leg rest: 90°

DRE Milano P50

Fully electric podiatry chair that features a unique, split-leg design

The DRE Milano P50's sleek, European design offers clinicians a streamlined, updated look to any podiatry suite. By using the standard foot pedal, operators can adjust each individual leg section as well as the chair's height, backrest and Trendelenburg positioning. The chair's small footprint takes up minimal space, and both the base and mattress covers are easy to clean.

- 5 Independent Electronic Movements: Height, Backrest, Individual Leg Rests, Trendelenburg.
- 180° Chair Rotation: Unique swivel feature for convenient access to patient area.
- Unique automatic reset control returns chair back to the original position.
- Foot pedal adjusts height, leg rests, backrest and Trendelenburg.
- Available with handset remote control Chair lowers to 21 inches for patient accessibility.
- Sleek system with a small footprint Adjustable, removable headrest.
- ABS covering for sleek, streamlined design.



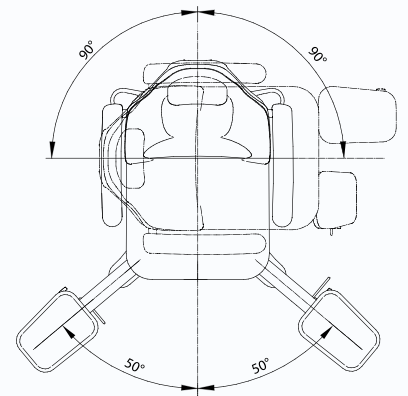
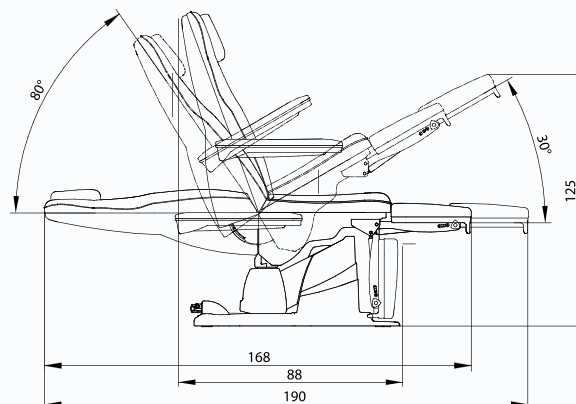
Chair Height:
20 - 32" (52 - 82cm)
Trendelenburg: 30°
Backrest: 80°
Leg rest: 90°

DRE Milano P20

An elegant solution for today's podiatry practice

The Milano P20 is expertly designed for comfort for podiatrists and patients alike, comfortable for both routine visits and lengthy procedures. Using the Milano P20 podiatry chair's adjustable height, operators can lower the chair to 20.5 inches.

- 180° chair rotation: Unique swivel feature for convenient access to patient area.
- Leg supports swivel independently up to 50 degrees.
- Foot pedal adjusts the height, back and level positioning.
- 3 Electric movements: height, backrest and seat tilt.
- Partial Trendelenburg positioning.
- Foot supports adjusted with gas spring.
- Sleek system with a small footprint.
- Stitchless mattress/covering allows for easy cleanup and sterilization.





Maximum Load Capacity:
440 lbs (200kg)
Trendelenburg: 25°
Backrest: 75°
Leg rest: 65°

DRE Milano H50

A modern design for today's hair transplant specialist

The DRE Milano H50 is a unique procedure chair designed specifically for lengthy hair transplant operations. The Milano H550 features electric actuators, two specialized headrests and a luxurious, six-inch mattress is constructed using breathable material so patients can rest comfortably during procedures lasting as long as five or six hours.

- › Sleek system with a small footprint
- › 4 Independent Electronic Movements: Height, Backrest, Leg Rest, Trendelenburg
- › 1 Synchronized Electronic Movement: Backrest and Leg Rest
- › 1 Manual Movement: Headrest adjustment and removal
- › Automatic reset control returns chair to original position
- › Comes with either handset control or foot pedal
- › ABS covering for a streamlined design
- › Two headrests for extraction and transplant phases
- › U-Shaped headrest provides access to extraction area
- › Cradle headrest for maximum patient comfort and proximity to transplant field



1800 Williamson Ct. • Louisville, Kentucky 40223 USA
800-923-8413 • 502-244-6345 • FAX: 502-244-0369

www.dremed.com
www.avantehs.com

 **DRE**
An **Avante** Health Solutions Company